

**Note**

▲ Arrow indicates Pod Entry location

**Plan View**

Pod on Trailer with Tractor

**Curb Side Elevation**

Pod on Trailer with Tractor

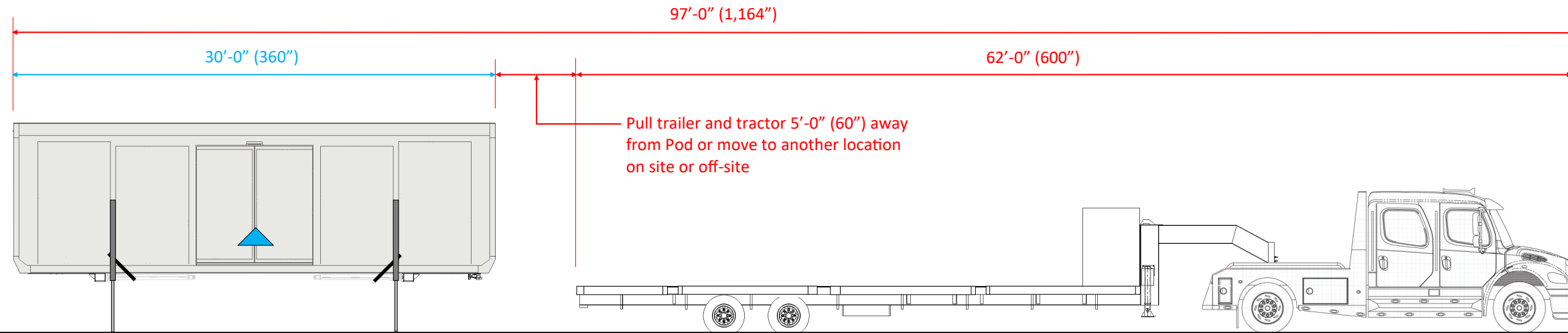
**Curb Side Elevation**

Pod Raised Above Trailer and Trailer with Tractor

- Prepare Pod to Engage Lift Legs
- Engage Lift Legs and Raise Pod in Preparation to Pull Tractor & Trailer from Under Pod

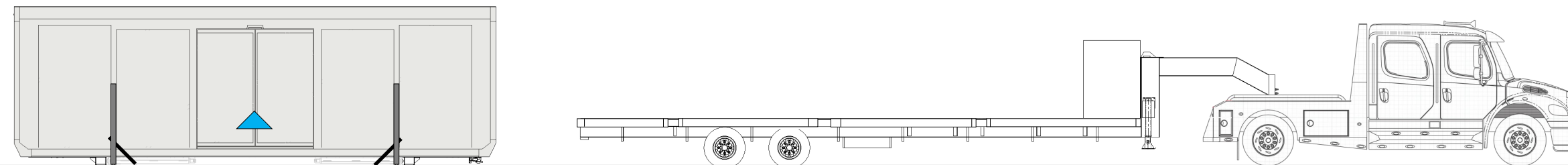
\*Please Note: Tractor, trailer and pod gross weight are 41,000 pounds. The pod's net weight is 18,300 pounds.

# Unloading & Parking Requirements



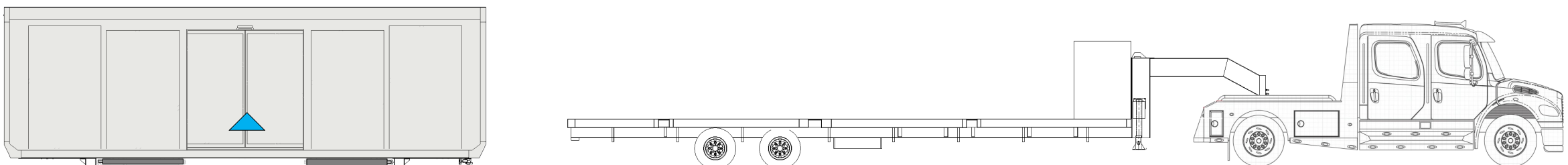
**Curb Side Elevation**

Trailer with Tractor Pulled Away from Under Pod



**Curb Side Elevation**

Pod Lowered to Surface and Leveled During the Lowering Process

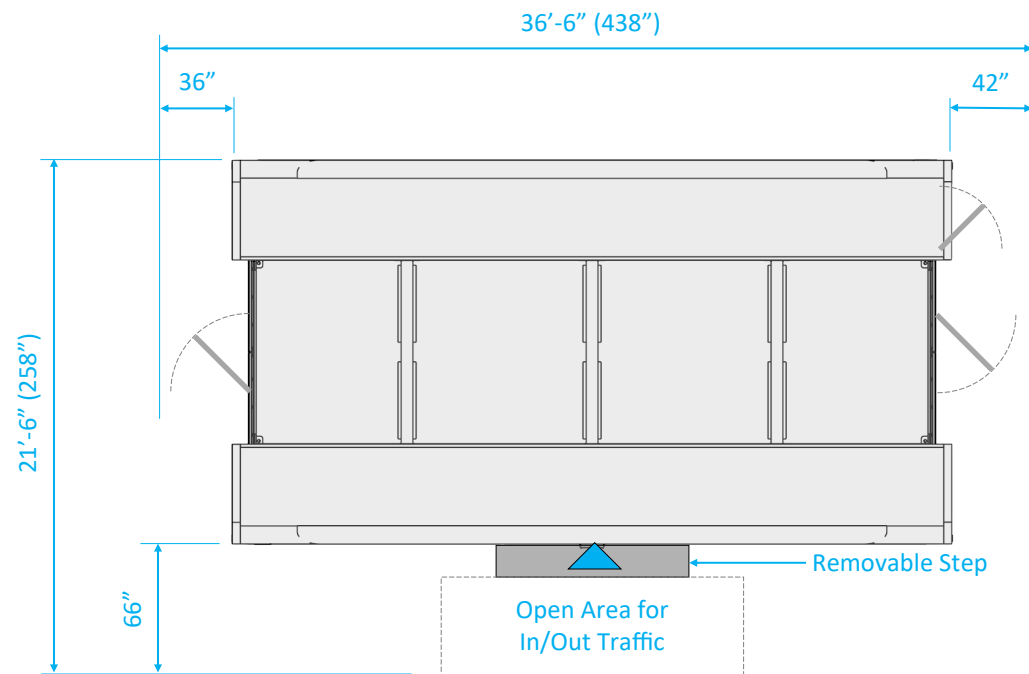


**Curb Side Elevation**

Rotate and Stowe Lifting Legs Prepare to Expand Pod

\*Please Note: Tractor, trailer and pod gross weight are 41,000 pounds. The pod's net weight is 18,300 pounds.

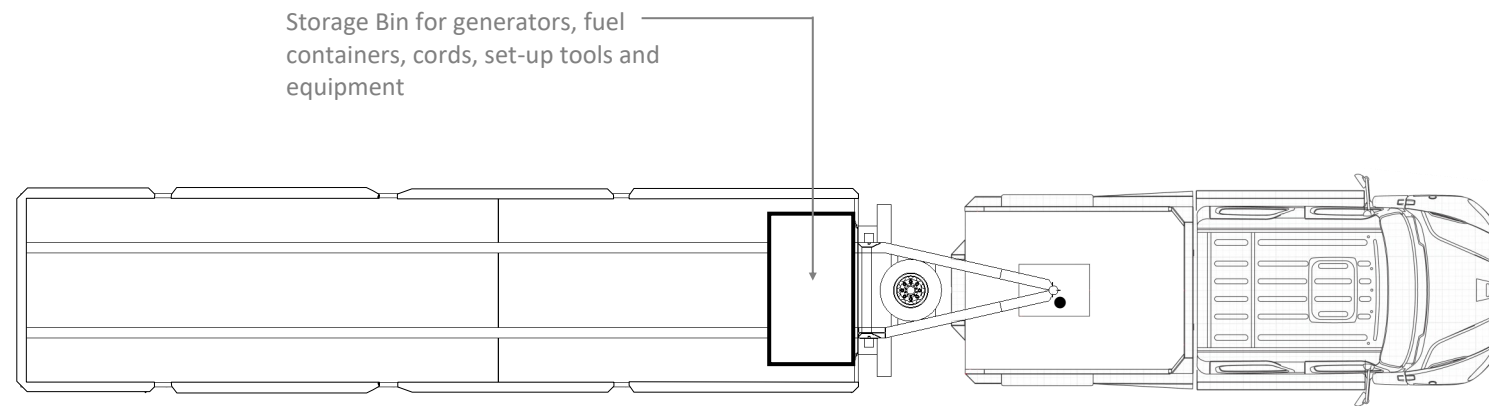
## Unloading & Parking Requirements



**Footprint for Event Set-up**

36'-6" (438") x 21'-6" (258")

Includes Pod access and walking area on three sides



Move Trailer with Tractor to Another Location on Site or Off-Site

**Plan View**

Pod Expanded and Set-up for Event

\*Please Note: Tractor, trailer and pod gross weight are 41,000 pounds. The pod's net weight is 18,300 pounds.

**Unloading & Parking Requirements**